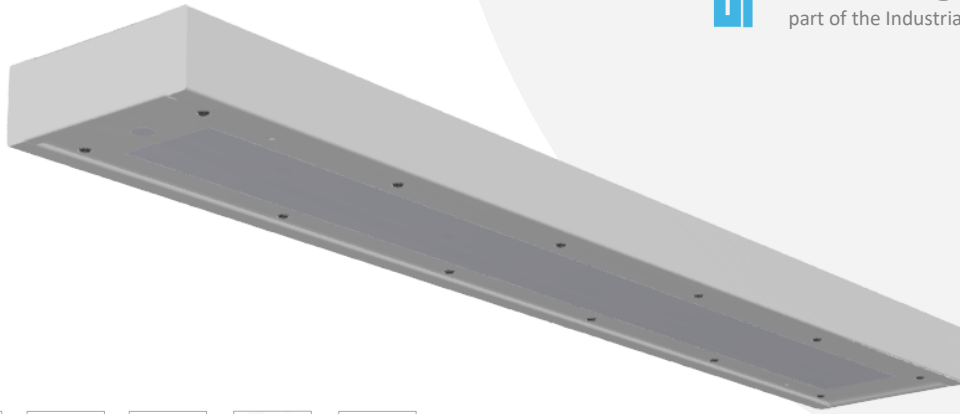


SURFACE

Safe & Secure Lighting

ToughLITE
part of the Industrial Control System Limited

LIGATURE RESISTANT



DESCRIPTION

Ideally suited for high-risk areas like cell environments where the detained person is left alone. Designed to be ligature resisting, very robust and secure. Supplied as a ceiling mountable version with rear cable entry. Available with a fully adjustable 3 stage lighting offering night, day and high brightness meeting the latest Home Office 2019 Design Guide. Provides the highest quality of uniformly distributed light using the latest advancements in LED technology.

Can be supplied in a standard on / off, with emergency, nightlight or with 3 stage daylight sensing energy saving options. The luminaire will require anti-pick mastic applying to compile with the latest guidelines once installed.

KEY FEATURES

- Ligature resisting
- Suitable for cell and high-risk areas
- Emergency and night light options
- 3 stage lighting (night/day/high brightness)
- Energy saving light sensor

SPECIFICATION

- High impact IK10++ / Ingress protection IP65
- Polycarbonate TP(a) fire-retardant diffuser
- Body manufactured from 1.2mm steel
- Faceplate manufactured from 4mm steel
- RAL9010 polyester powder coat textured finish
- 3000k or 4000k LED's
- Manufactured in the UK
- Full 5 year warranty

STANDALONE SINGLE LUMINAIRE

can be provided in a lower wattage than stated if required

Length	Wattage	Colour	Weight	Part No
700mm	36w	3K	7.0kg	TLS23k36w
700mm	36w	4K	7.0kg	TLS24k36w
1300mm	75w	3K	13.5kg	TLS43k75w
1300mm	75w	4K	13.5kg	TLS44k75w

NOTE - Emergency Auto-test is not recommended to be used in a cell

ADDITIONS (add suffix) For example - TLS44k75w + **LS** + **EM**

DALI (DALI Dimmable) **OR LS** (3 stage lighting sensor) **OR N** (Night light)

EM (Emergency) **OR EMD** (Em DALI) **OR EMA** (Em Auto-test)

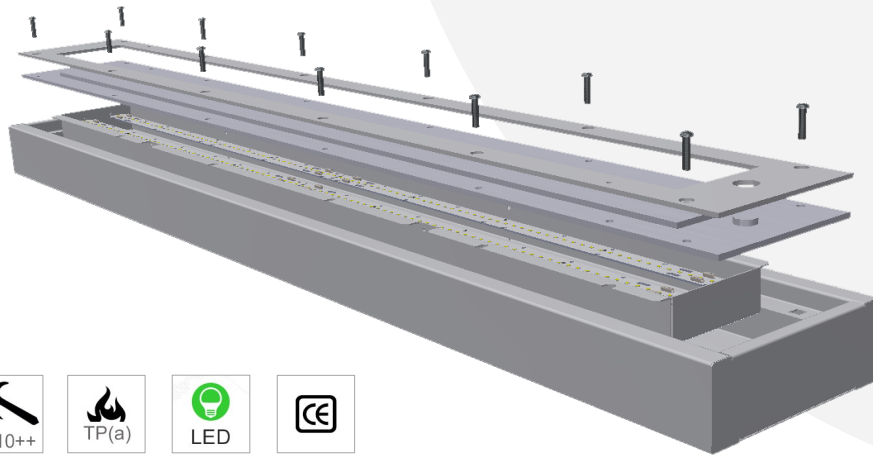


SURFACE

LIGATURE RESISTANT

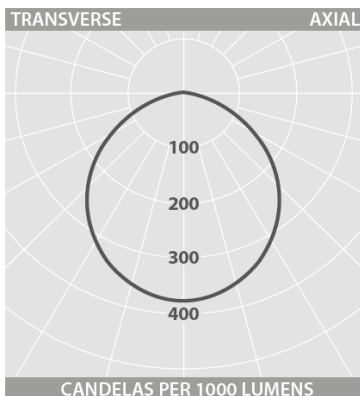
Safe & Secure Lighting

ToughLITE
part of the Industrial Control System Limited



LUMINAIRE INFORMATION

The LEDs we use have an exceptionally constant light colour so they guarantee a uniform and crystal clear colour appearance. In addition to high efficiency and a balanced distribution of light they offer high robustness resulting in long life that will save you maintenance and repair costs. Compared with conventional light sources, our LEDs make a significant contribution to energy efficiency.



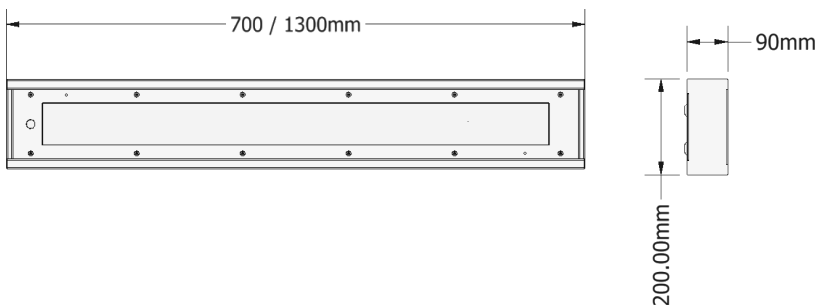
CRI	80+
Colour	3000k / 4000k
Life	100,000 hours
Driver Efficiency	+85%
LM/CW	82.6

Luminaire Lumen Output

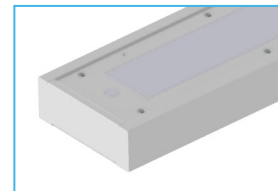
36W - 3387lm

75W - 6675lm

DIMENSIONS



LIGHT SENSOR



ToughLITE comes with an optional 3 stage controller which allows you to set the light levels precisely for its environment. This ensures you will always achieve the recommended lux levels. Each of the 3 stages can be set independently from each other and come with an option of remote IO monitoring if required.

